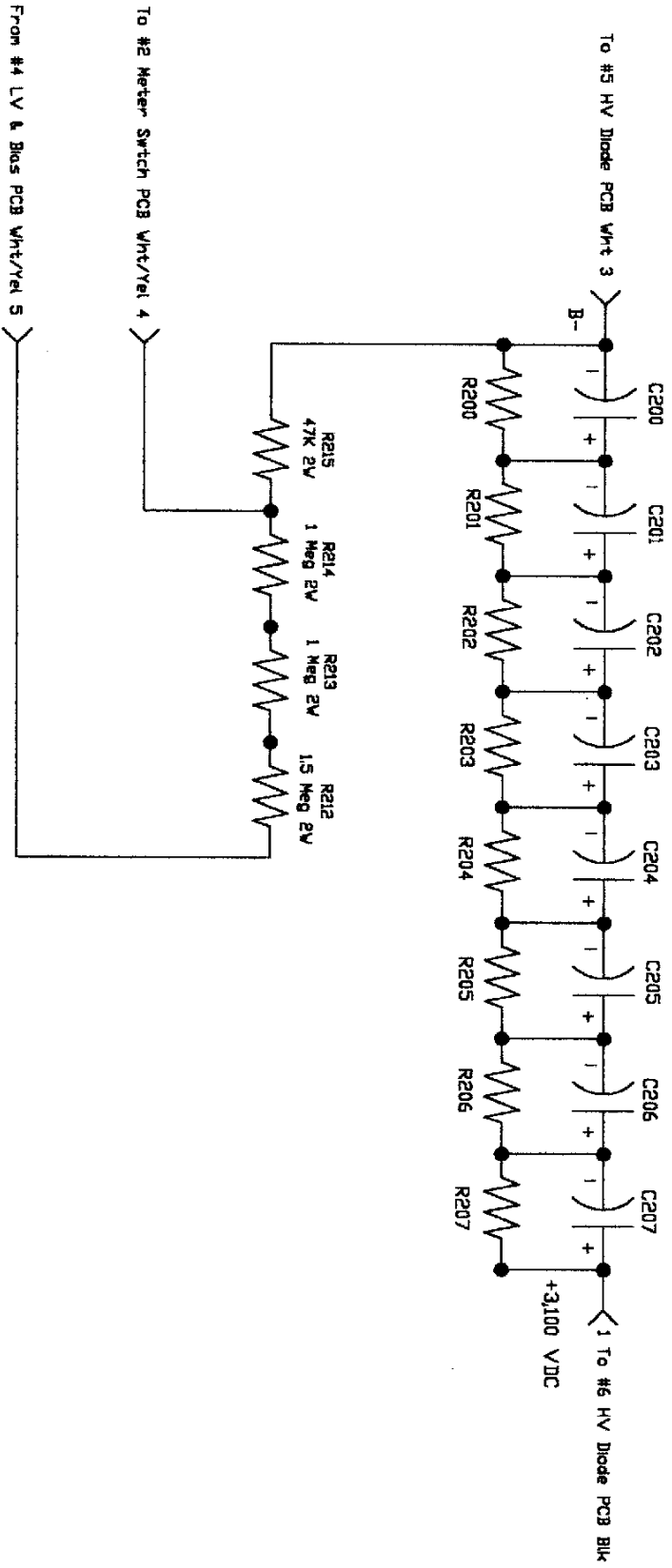


GRD Technologies, Inc.
 HF-2500DX Mark III Linear Amplifier
 General Schematic Diagram
 Designed & Drawn by Ray V. Conlin
 March 15, 1997



C200 - C207 470uF 450V
 R200 - R207 50K 5W

GRD TECHNOLOGIES, INC.
 HV Capacitor PCB
 Model# HF-2500BX/HF-3KDX
 Part #01 06111
 Drawn by: Ray W. Conlin
 October 8, 1995
 Rev. B 5/7/96

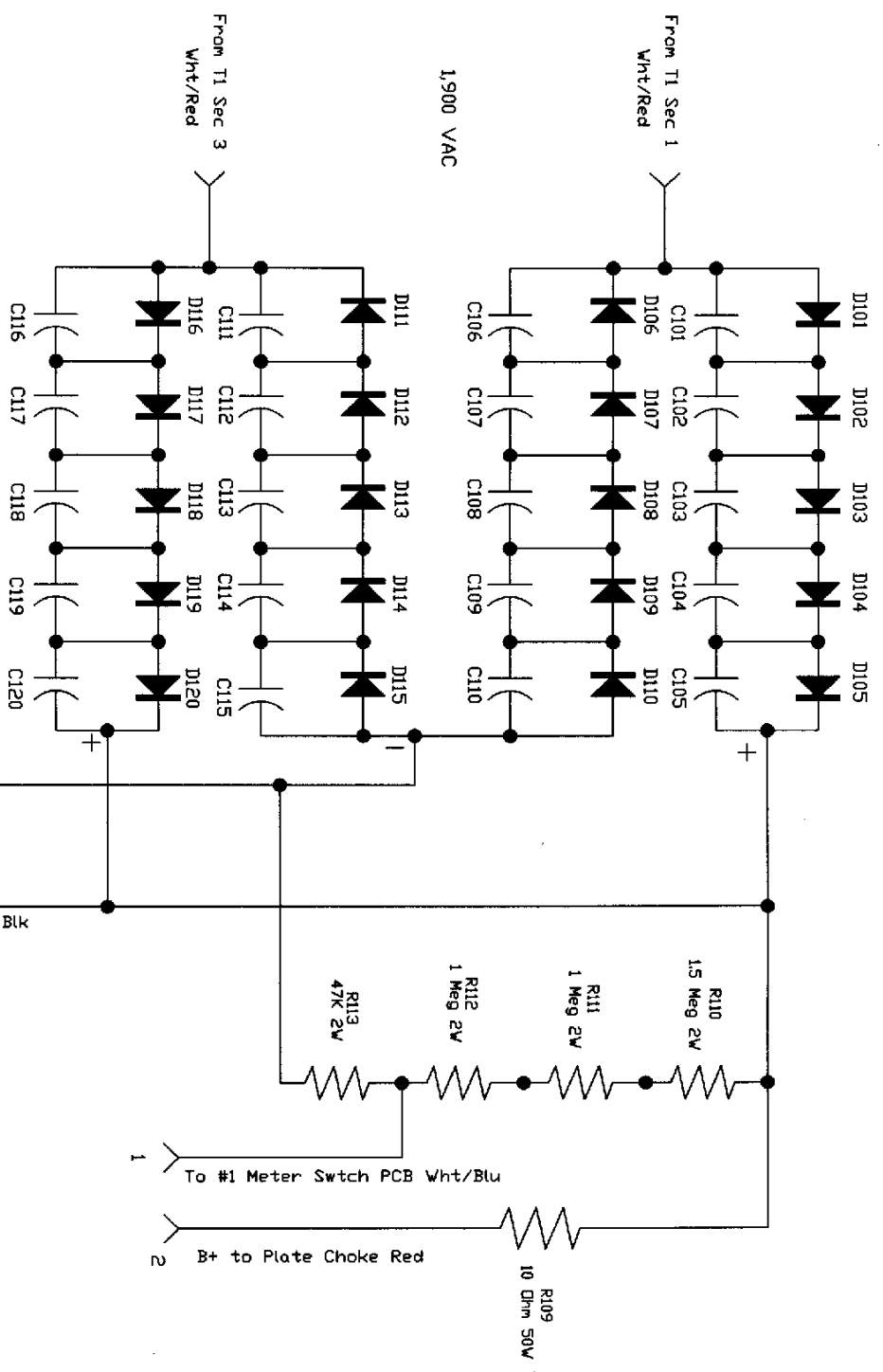
D100 - D121 JNS408
 C100 - C120 .01uF 500V

To #6 Meter Switch PCB Wht 5
 To #31 LV & Bias PCB Wht 5
 To #2 Screen Supply PCB Wht 5
 From #3 HV CAP PCB Wht 5

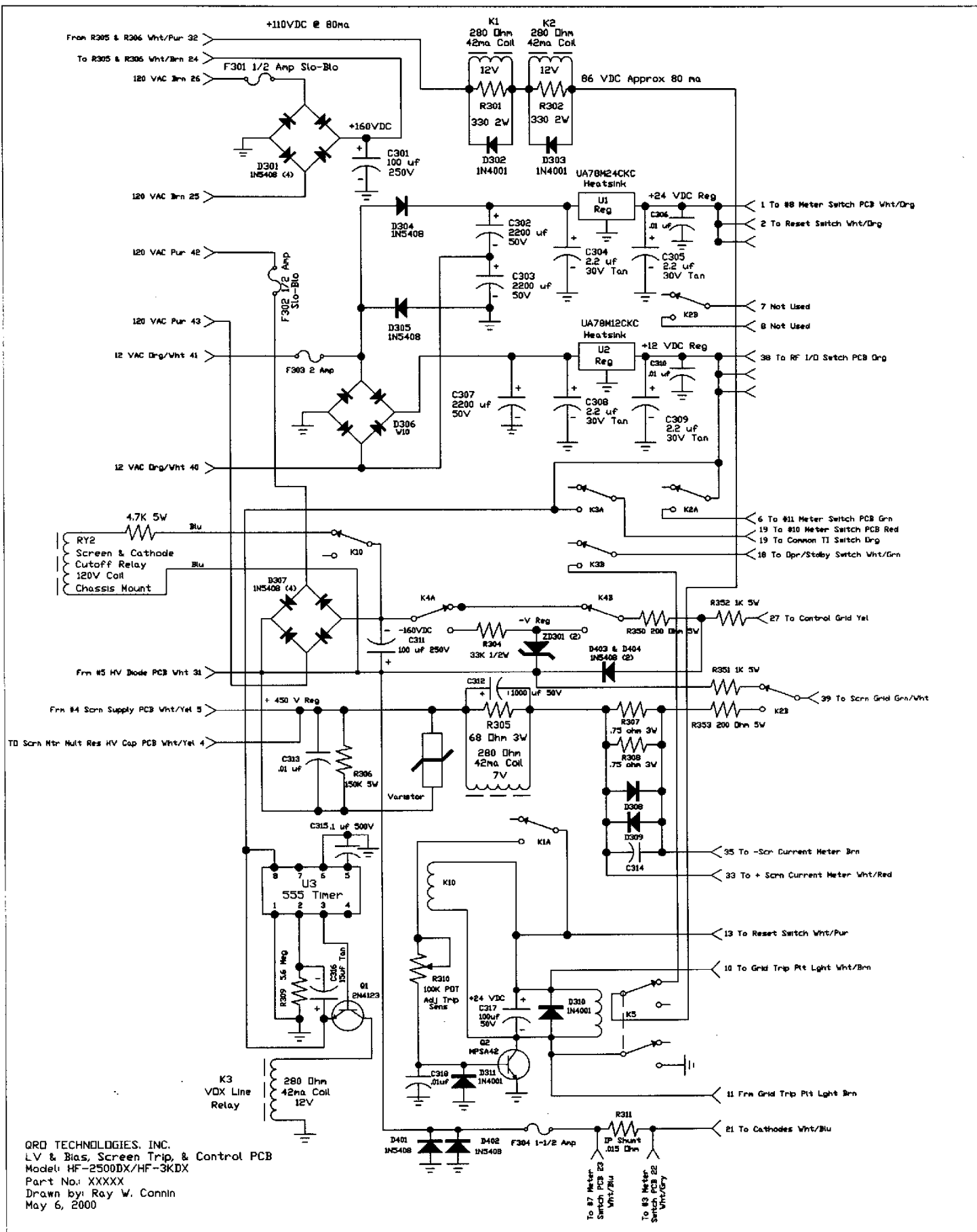
To #1 HV Cap PCB Blk 6

To #1 Meter Switch PCB Wht/Blu 1

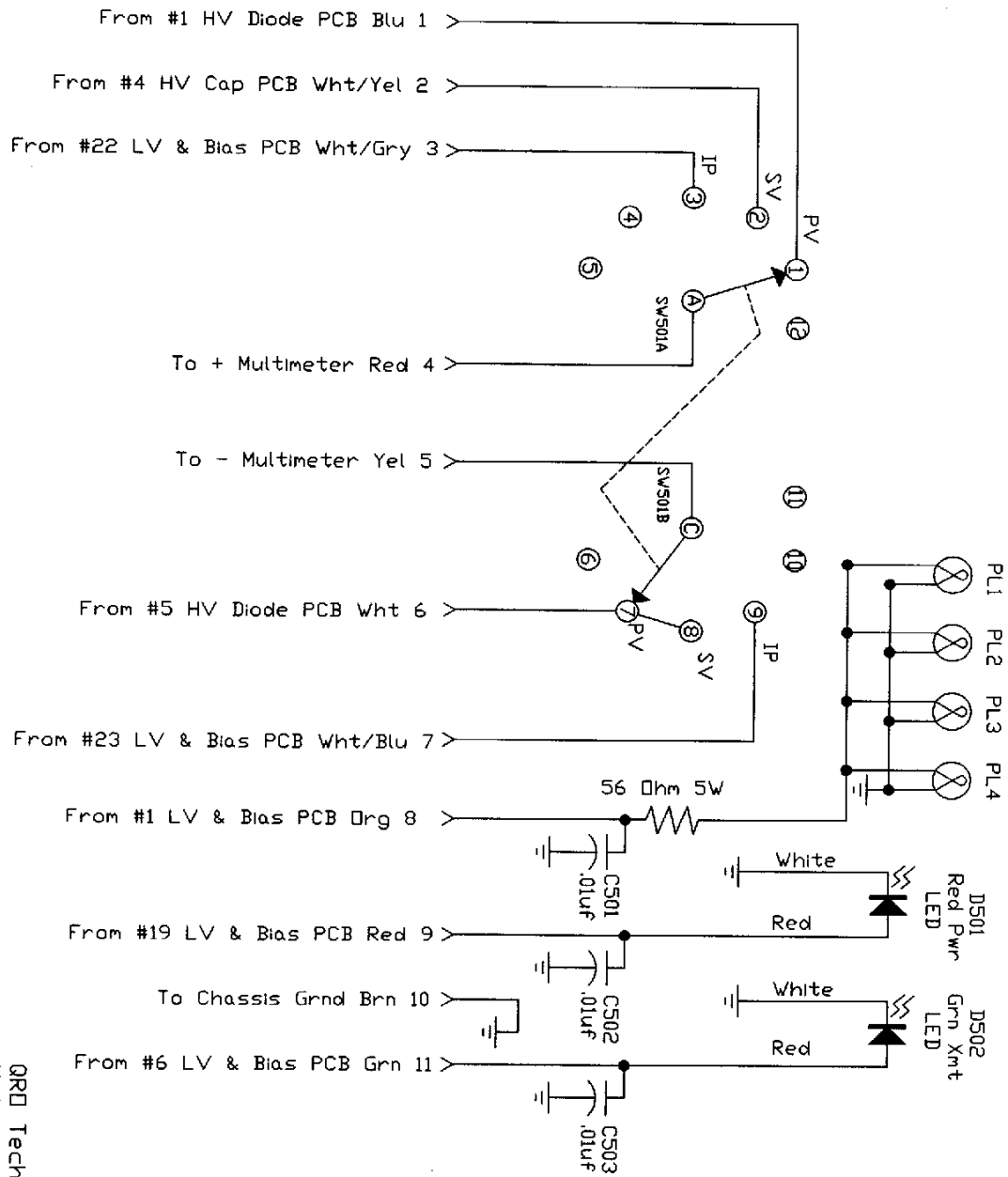
B+ to Plate Choke Red 2



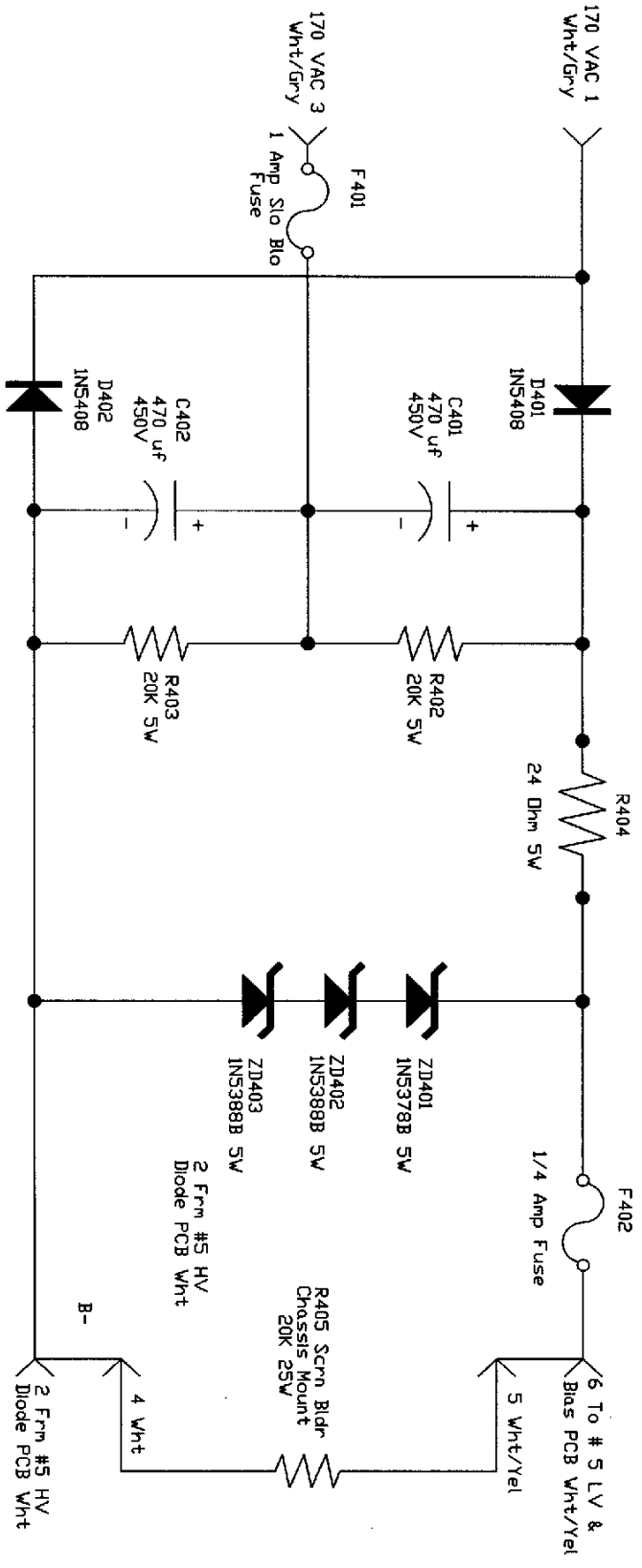
GRD TECHNOLOGIES, INC.
 HV Diode PCB
 Model: HF-2500DX/HF-3KDX
 Part No: 06112
 Drawn by: Ray W. Conlin
 October 8, 1995
 Rev. 2: 03/01/00



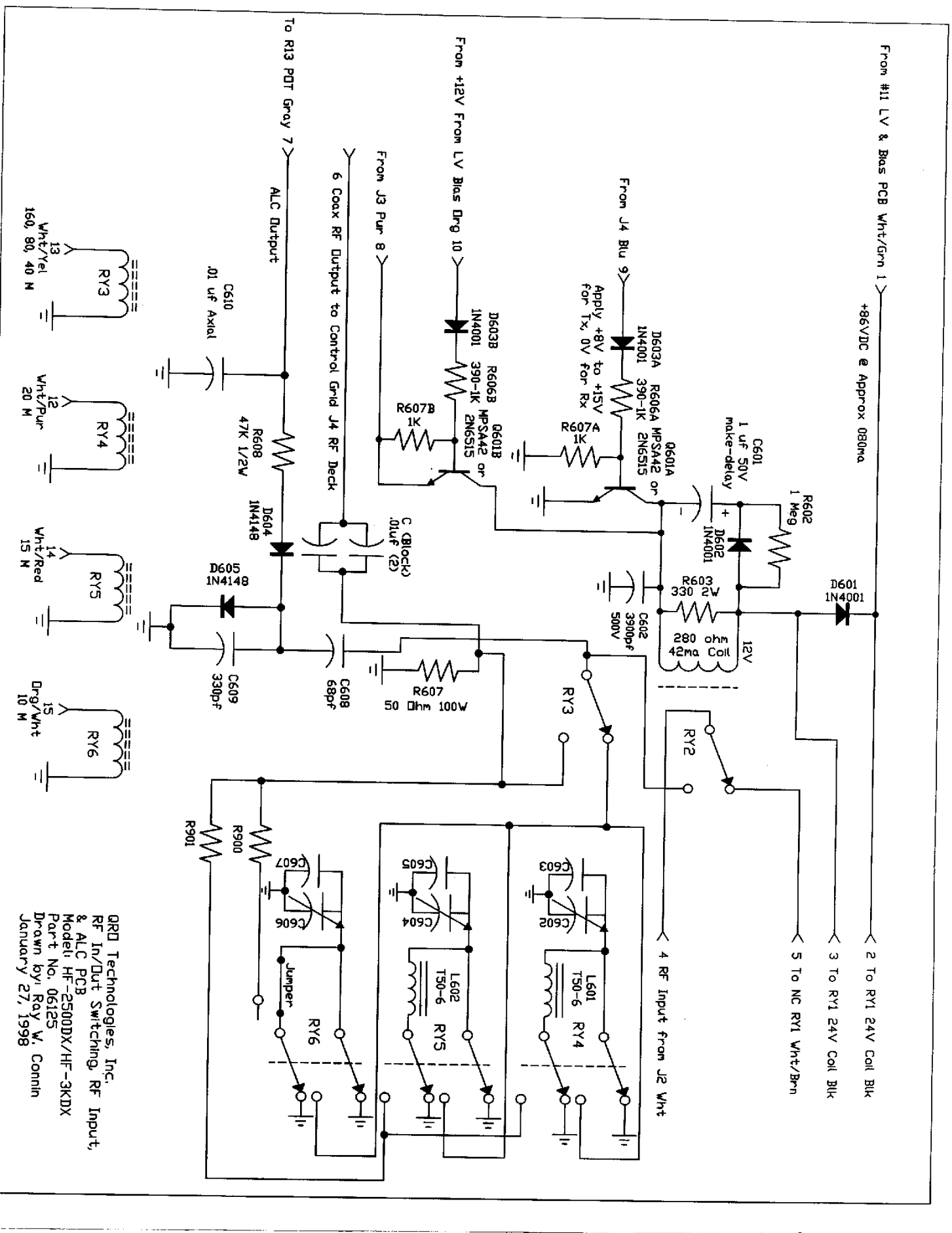
GRD TECHNOLOGIES, INC.
 LV & Bias, Screen Trip, & Control PCB
 Model: HF-2500DX/HF-3KDX
 Part No: XXXXX
 Drawn by: Ray W. Connin
 May 6, 2000



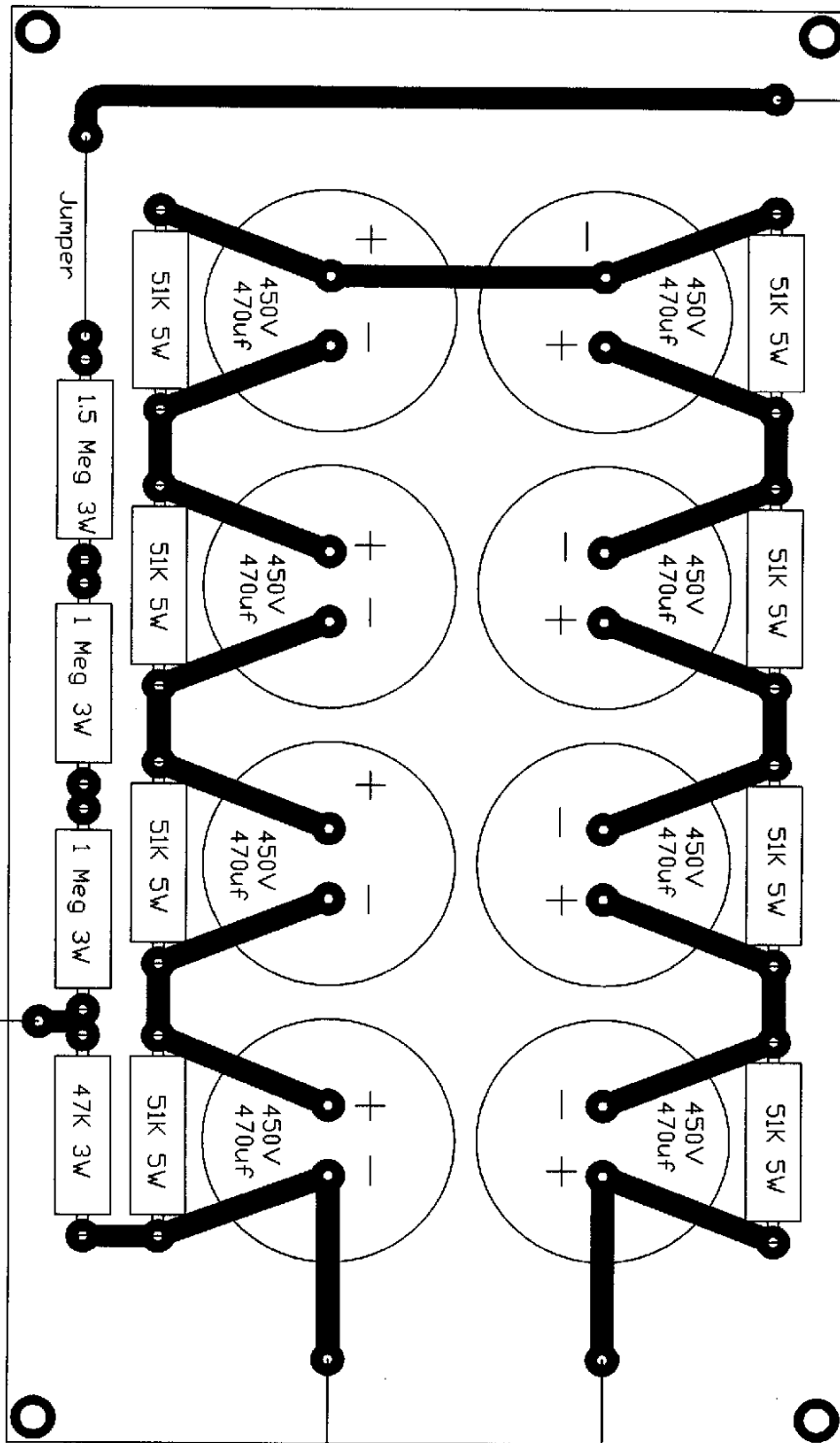
QRD Technologies, Inc.
 Meter Switch PCB
 Model HF-2500DX/HF-3KDX
 Part No: 06113
 Drawn by: Ray W. Connin
 October 18, 1995
 Rev. 2: 02/10/97



QRD TECHNOLOGIES, INC.
 Screen Supply PCB
 Model HF-2500DX/HF-3KDX
 Part No: 06130
 Drawn by: Ray W. Conlin
 March 17, 2000



QRD Technologies, Inc.
 RF In/Dut Switching, RF Input,
 & ALC PCB
 Model: HF-2500DX/HF-3KDX
 Part No. 06125
 Drawn by: Roy W. Connin
 January 27, 1998



5 To #4 LV & Bias PCB Wht/Yel 10"

4 To #2 Meter Switch PCB Wht/Yel 17"

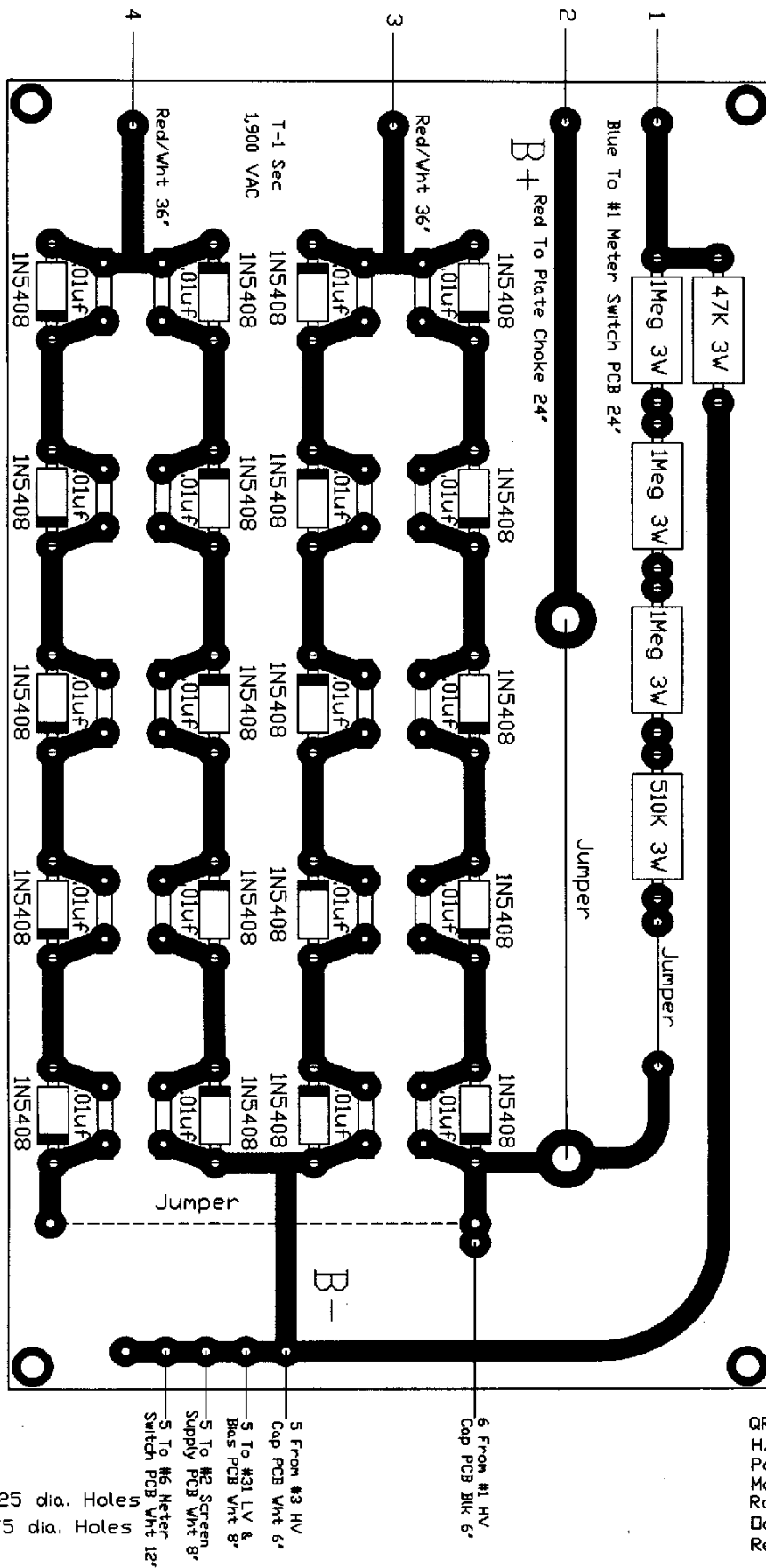
3 To #5 HV Diode PCB Wht 6"

1 To #6 HV Diode PCB Blk 6"

QRD Technologies, Inc.
 H.V. Capacitor PCB
 Model: HF-2500DX/HF-3KDX
 Part No. 06111
 Ray W. Connin
 October 22, 1995
 Rev. 2: 10/29/99

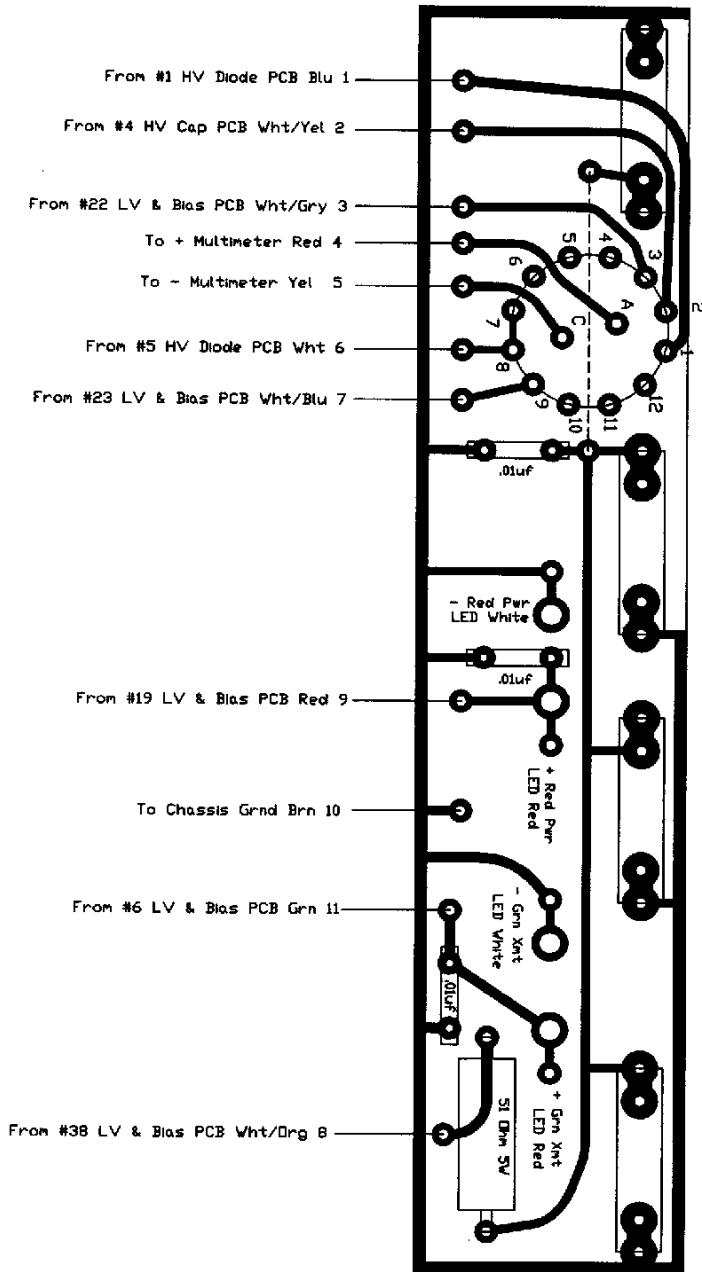
Note: All holes .0625 dia.
 Four Corner Holes .1875 dia

HF-2500DX Amplifier



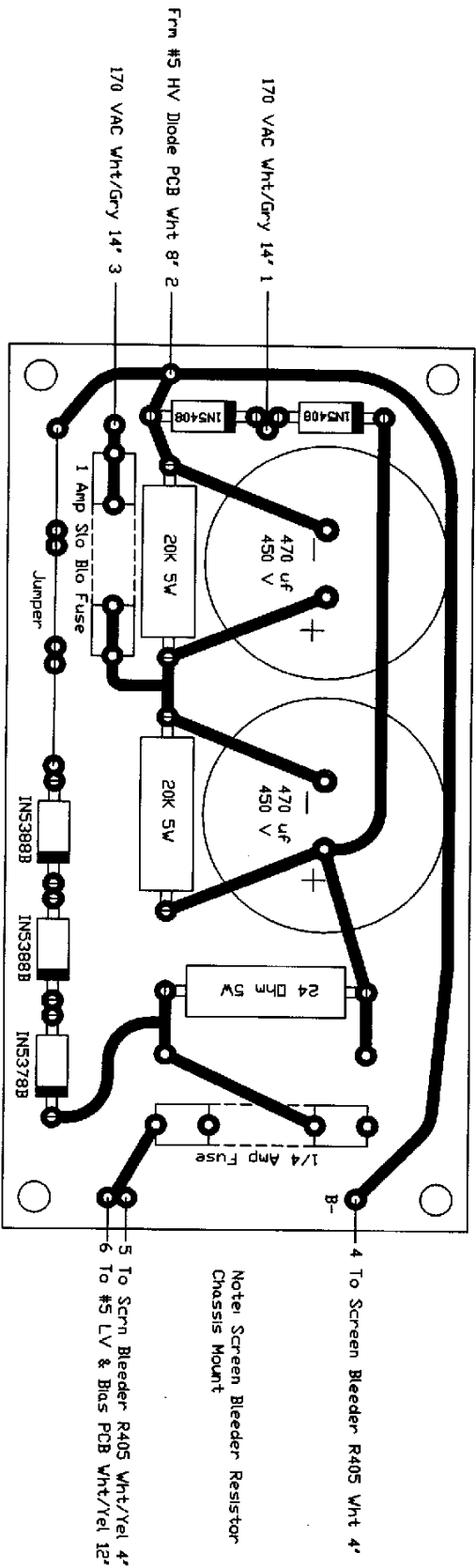
Note: Blue Pads .0625 dia. Holes
 Red Pads .1875 dia. Holes

QRD Technologies, Inc.
 H.V. Diode PCB
 Part No. 06112
 Model: HF-2500DX/HF-3KDX
 Ray W. Connin
 October 22, 1995
 Rev. 3: 09/24/01



Note: All small holes .0625 dia.
All large holes .1250 dia.

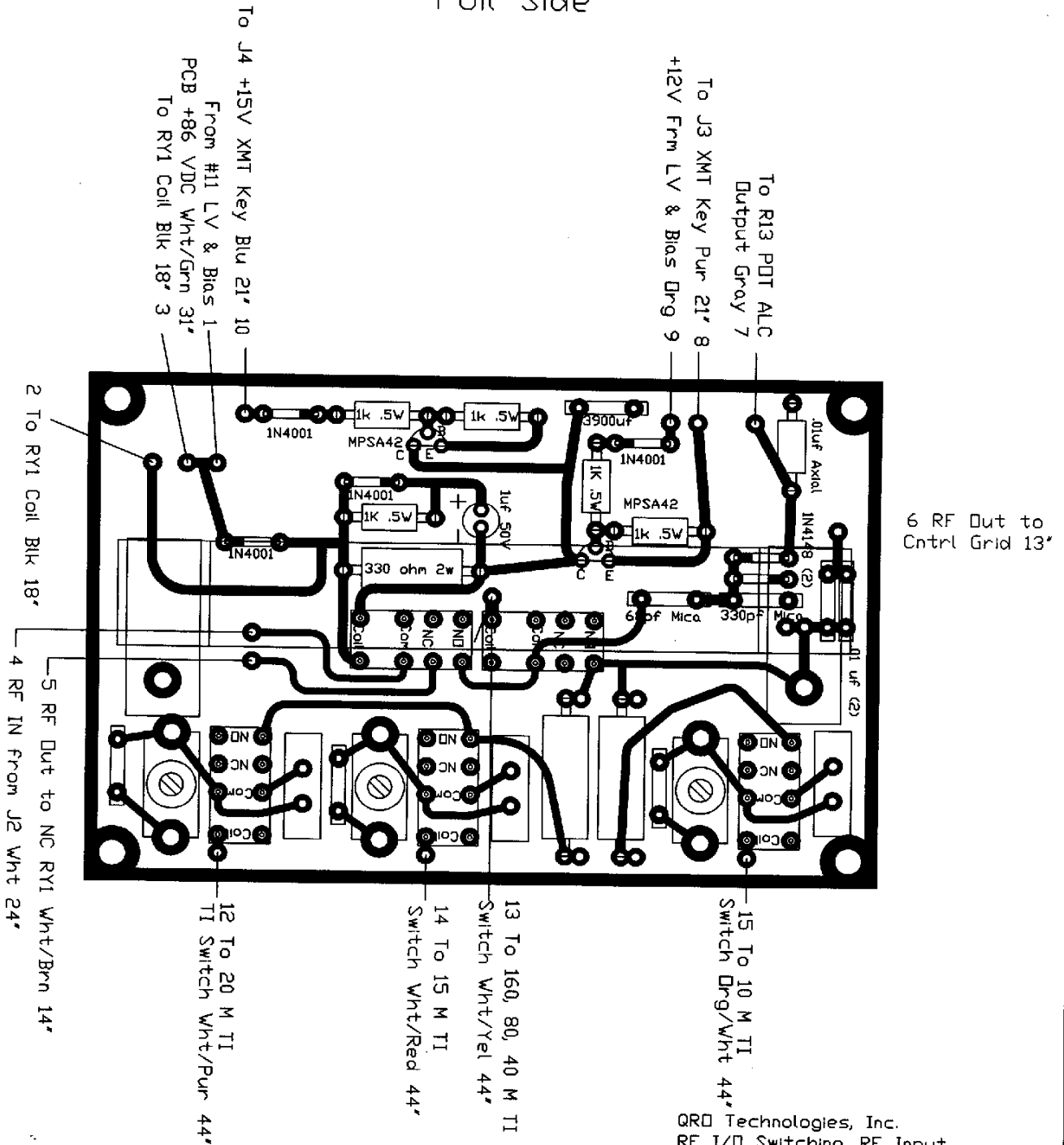
GRD Technologies, Inc.
Meter Switch PCB
Part No. 06113
Model: HF-2500DX/HF-3KDX
Ray W. Connin
October 23, 1995
Rev. 2: 02/10/97



Note: All Trace Holes .0625 dia.
Four Corner Holes .1875 dia

GRD Technologies, Inc.
Screen Supply PCB
Model: HF-2500DX/HF-3KDX
Part No. 06130
Drawn by: Ray W. Connin
March 17, 2000

Circuit Trace Foil Side



Note: All Small Holes .0625 Dia.
 All Medium Holes .1250 Dia.
 All Large Holes .1875 Dia.
 Four Corner Holes .1875 Dia.

QRD Technologies, Inc.
 RF I/O Switching, RF Input,
 & ALC PCB
 Model: HF-2500DX/HF-3KDX
 Part No. 06125
 Drawn by: Ray W. Connin
 January 27, 1998
 Rev. 1: 04/28/98